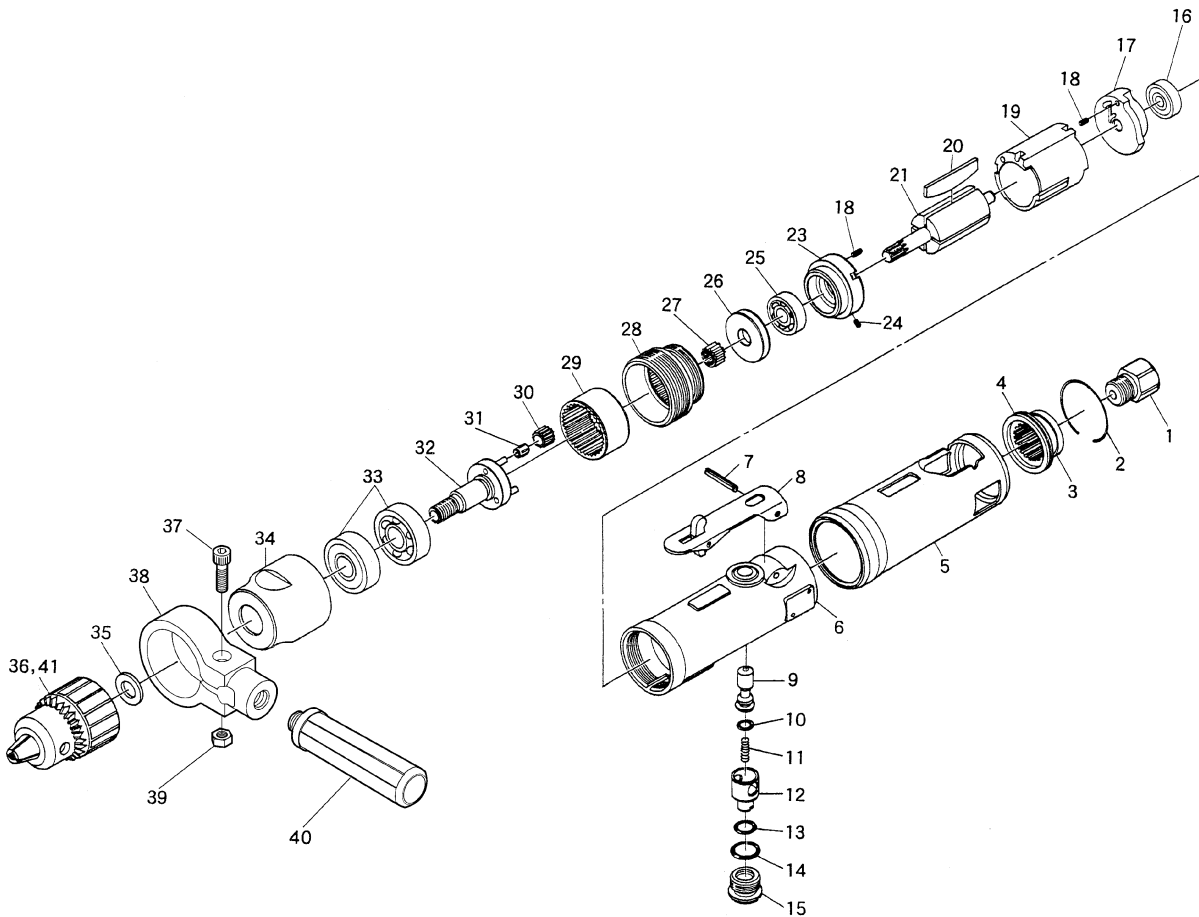


SI-2015AD

6000 R.P.M. Straight Drill



Ref. No.	Parts No.	Description	Q'ty	Ref. No.	Parts No.	Description	Q'ty
1	180-1SC	Inlet Bushing incl. Screen (680-28A) & Retainer (CRTW-12)	1	23	270-45LA-2	Front Plate	1
2	620-30	Retaining Ring	1	24	25-4	Roll Pin (2.5φ-4mm)	1
3	620-18	Deflector	1	25	608-ZZ	Ball Bearing	1
4	620-28	O-Ring	1	26	270-45LA-4	Spacer	1
5	892-2R	Housing Cover	1	27	1300-45C-1	Pinion Gear	1
6	892-1	Motor Housing incl. Bush (350-4)	1	28	270-45LA-3	Motor Lock Ring	1
7	30-24	Roll Pin (3φ-24mm)	1	29	270-45LA-5	Internal Gear	1
8	350-2L	Throttle Lever	1	30	1300-45C-2	Planet Gear	3
9	350-5	Valve Stem	1	31	1300-45C-4	Cage incl. Pins (1300-45C4A×5)	3
10	P-5	O-Ring	1	32	1300-45C-3	Spindle incl. Pins (3000-15-8×3)	1
11	350-7	Valve Spring	1	33	6201-Z	Ball Bearing	2
12	350-8A	Air Regulator	1	34	1300C-15	Clamp Nut	1
13	P-8	O-Ring	1	35	680-7	Spacer	1
14	P-11	O-Ring	1	36	22BA	3/8" Drill Chuck w. Handle KK	1
15	350-10	Valve Screw	1	37	Z-M60-200	Cap Screw	1
16	626-ZZ	Ball Bearing	1	38	210-5-1	Bracket	1
17	620-9	Rear Plate	1	39	N1-M60	Nut	1
18	25-5	Roll Pin (2.5φ-5mm)	2	40	240-50	Handle	1
19	680-1	Cylinder	1	*◆41	LX10	3/8" Cap. Keyless Chuck (3/8" Thd)	1
20	350-16	Rotor Blade	4				
21	270-45LA-1	Rotor	1				