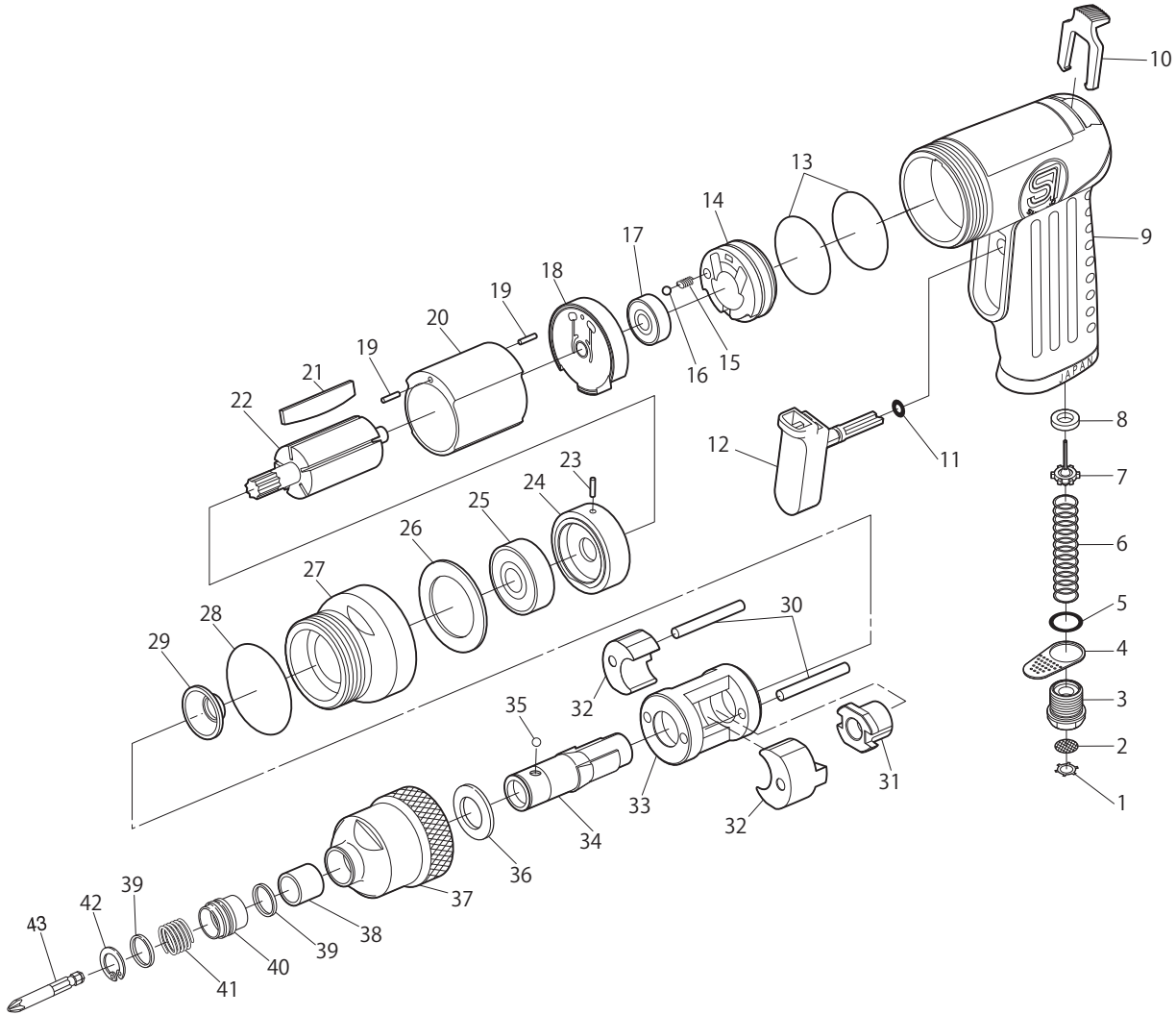


SI-1070

Impact Driver



Ref. No.	Parts No.	Description	Q'ty	Ref. No.	Parts No.	Description	Q'ty
1	CRTW-12	Retainer	1	23	25-3.5	Roll Pin(2.5 φ-3.5mm)	1
2	680-28A	Screen	1	24	139DP-4	Front Plate	1
3	139-11	Inlet Bushing	1	25	608-ZZ	Ball Bearing	1
4	139-12	Deflector	1	26	670-18	Lock Washer	1
5	957-3	O-Ring	1	27	139DP-2	Lock Nut	1
6	139-15	Valve Spring	1	28	181-37	O-Ring	1
7	139-8	Valve	1	29	119DP-13A	Rear Washer	1
8	139-9	Valve Seat	1	30	190-11	Hammer Pin	2
9	139S-5	Motor Housing incl. Bush(139-20)	1	31	190-12	Cam	1
10	139-3	Control Lever	1	32	190-10	Hammer Dog	2
11	216-6	O-Ring	1	33	190-13	Hammer Cage	1
12	139S-4	Trigger	1	34	190-9	1/4" Hex. Anvil	1
13	210R-7	O-Ring	2	35	SB-3/16	Steel Ball	1
14	139DP-3	Reverse Valve	1	36	190-8	Anvil Spacer	1
15	960-50	Spring	1	37	119DP-11	Hammer Case	1
16	SB-1/8	Steel Ball	1	38	119DP-15	Anvil Bushing	1
17	696-ZZ	Ball Bearing	1	39	430-52	Retaining Washer	2
18	210R-3	Rear Plate	1	40	430-51	Chuck Sleeve	1
19	15-6	Roll Pin(1.5 φ-6mm)	2	41	430-53	Chuck Sleeve Spring	1
20	119D-2	Cylinder	1	42	GV-12	Retaining Ring	1
21	119DP-5	Rotor Blade	5	43	181-51	+Bit No.2	1
22	119DP-3	Rotor	1				