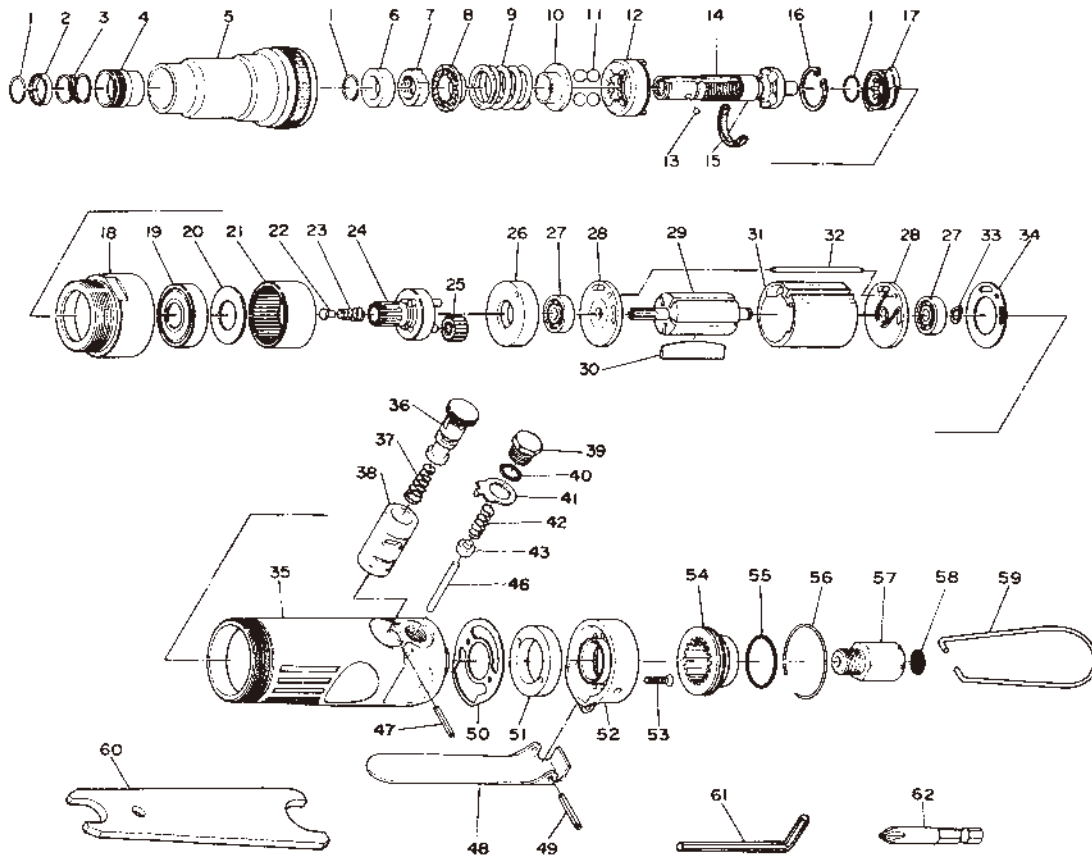


SI-1161

Screw Driver



Ref. No.	Parts No.	Description	Q'ty	Ref. No.	Parts No.	Description	Q'ty
1	950-1-1	Retaining Ring	3	31	217-15	Cylinder	1
2	950-1-2	Washer	1	32	200-34	Cylinder Pin	1
3	950-1-3	Chuck Sleeve Spring	1	33	JS-6	Retaining Ring	1
4	950-1-4	Chuck Sleeve	1	34	217-32	Motor Gasket	1
5	210-1-5	Clutch Housing	1	35	985-1	Motor Housing incl. Bush (985-17)	1
6	950-1-6	Spacer	1	36	985-5	Reverse Valve	1
7	950-1-7	Adjust Nut	1	37	985-14	Reverse Spring	1
8	950-1-8	Spring Seat	1	38	985-6	Reverse Valve Bush	1
9	950-1-9	Clutch Spring	1	39	985-39	Valve Screw	1
10	950-1-10	Thrust Washer	1	40	P-8	O-Ring	1
11	SB-1/4	Steel Ball	4	41	985-15	Reverse Retainer	1
12	950-1-12	Clutch Carrier	1	42	450-24	Valve Spring	1
13	SB-1/8	Steel Ball	1	43	930B-12B	Valve	1
14	950-1-14	Cam Spindle	1	46	985-3	Valve Pin	1
15	950-1-17	Wiper	1	47	25-20	Roll Pin (2.5-20mm)	1
16	JO-21	Retaining Ring	1	48	985-2	Throttle Lever	1
17	950-1-16	Drive Dog	1	49	30-24	Roll Pin (3-24mm)	1
18	217-20	Clamp Nut	1	50	985-13	Gasket	1
19	6201-Z	Ball Bearing	1	51	985-41	Muffler	1
20	957-35	Washer	1	52	985-12	Housing Cap	1
21	217-10	Internal Gear	1	53	E-M30-120	Screw	2
22	957-30	Guide Pin	1	54	620-18	Deflector	1
23	217-22	Guide Pin Spring	1	55	620-28	O-Ring	1
24	217-13	Work Spindle incl. Pins (300-21x3)	1	56	620-30	Retaining Ring	1
25	217-12	Planet Gear incl. Bush (217-33)	3	57	985-10	Inlet Bushing	1
26	217-18	Spacer	1	58	680-28A	Screen	1
27	626	Ball Bearing	2	59	982-20	Hanger	1
28	217-14	End Plate	2	60	330-28	Spanner Wrench (11x17mm)	1
29	217-17	Rotor	1	61	WRA-1/4	1/4" Allen Wrench	1
30	350-16	Rotor Blade	5	62	181-51	+Bit No.2	1