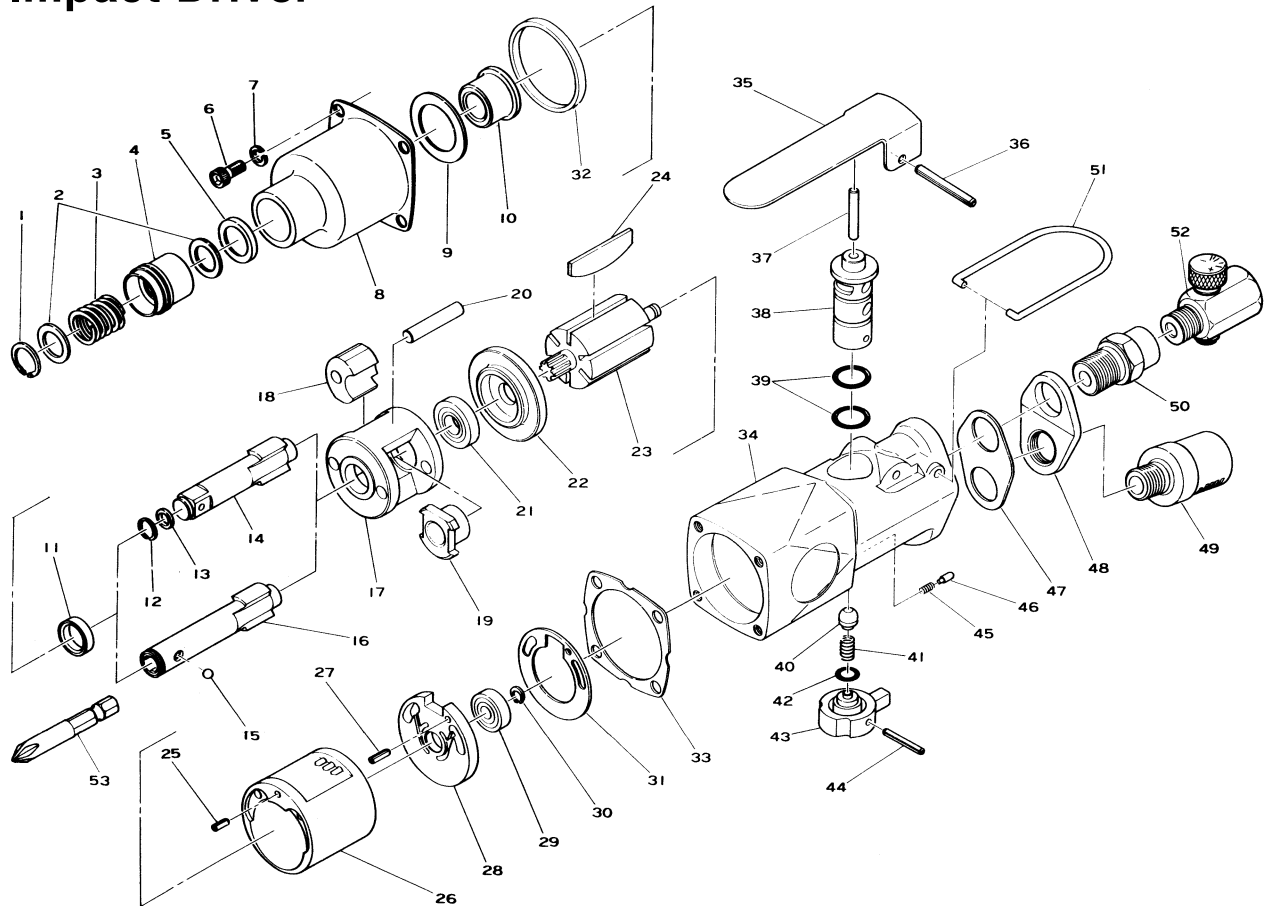


SI-1370

Impact Wrench

SI-1370D

Impact Driver



Ref. No.	Parts No.	Description	Q'ty	Ref. No.	Parts No.	Description	Q'ty
★1	GV-12	Retaining Ring	1	27	25-15	Roll Pin (2.5-15mm)	1
★2	430-52	Retaining Washer	2	28	458-5	Rear Plate	1
★3	430-53	Chuck Sleeve Spring	1	29	626	Ball Bearing	1
★4	430-51	Chuck Sleeve	1	30	JS-6	Retaining Ring	1
5	450-17	Oil Seal	1	31	457-2	Motor Gasket	1
6	Z-1024-150	Cap Screw	4	32	457-3	Hammer Housing Spacer	1
7	HSW-50	Washer	4	33	458-31	Hammer Housing Gasket	1
8	458-30	Hammer Housing incl. Bush, Oil Seal & Spacer (450-17, 450-20, 458-59)	1	34	457-1	Motor Housing incl. Bush (456D-39)	1
9	458-59	Spacer	1	35	456D-35	Throttle Lever	1
10	450-20	Anvil Bushing	1	36	40-32	Roll Pin (4-32mm)	1
11	450-54	Collar	1	37	456D-40	Valve Pin	1
☆12	450-10	Socket Retainer Ring	1	38	456D-38	Reverse Valve	1
☆13	450-11	O-Ring	1	39	990-26-32	O-Ring	2
☆14	452-2	3/8" Sq. Anvil	1	40	300-10	Valve	1
★15	SB-3/16	Steel Ball	1	41	670-49	Valve Spring	1
★16	452-4K	1/4" Hex. Anvil	1	42	P-9	O-Ring	1
17	452-1	Hammer Cage	1	43	456D-37	Reverse Lever	1
18	450-51	Hammer Dog	2	44	30-22	Roll Pin (3-22mm)	1
19	452-3	Cam	1	45	450-45	Regulator Spring	1
20	450-52	Hammer Pin	2	46	670-17	Reverse Pin	1
21	EE-3	Ball Bearing	1	47	457-5	Exhaust Gasket	1
22	458-4	Front Plate	1	48	457-4	Exhaust Retainer	1
23	458-7	Rotor	1	49	911-51	Muffler w/Cover & O-Ring	1
24	458-8	Rotor Blade	6	50	911-48	Inlet Bushing	1
25	25-8	Roll Pin (2.5-8mm)	1	51	982-20	Hanger	1
26	458-6	Cylinder	1	52	181-45	Air Regulator	1
				★53	181-51	+Bit No.2	1