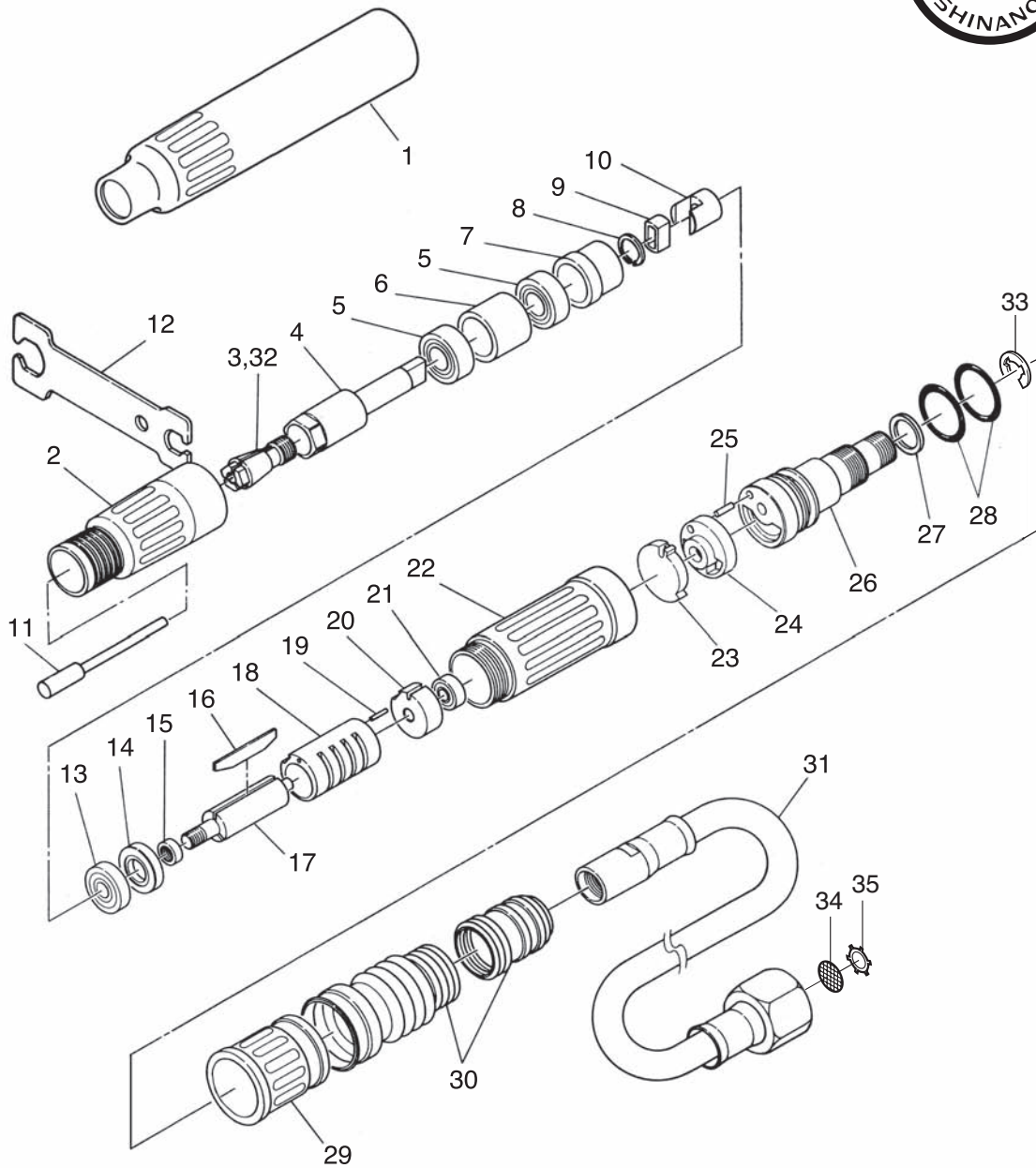


# SI-2051SG

## Micro Straight Grinder



Ref. No.	Parts No.	Description	Q'ty	Ref. No.	Parts No.	Description	Q'ty
1	340-60	Housing Cover	1	19	340-16	Cylinder Pin	1
2	340-1A	Front Case	1	20	340-15	Rear Plate	1
3	340-2A	3mm Collet	1	21	693-ZZ	Ball Bearing	1
4	340-3	Spindle	1	22	340-20A	Motor Housing	1
5	686-ZZ	Ball Bearing	2	23	340-17	Spacer	1
6	340-6	Spindle Collar A	1	24	340-18	Connector	1
7	340-8	Spindle Collar B	1	25	1500-68	Pin	1
8	GV-6	Retaining Ring	1	26	340-21	Valve Body	1
9	340-4	Joint Cushion	1	27	340-54	Washer	1
10	340-9	Coupling	1	28	340-23	O-Ring	2
11	340-55	5ømm Grindstone	1	29	340-24	Valve Ring	1
12	340-27	Spanner Wrench (Hex 6x9mm)	2	30	340-26	Exhaust Hose	1
13	604-ZZ	Ball Bearing	1	31	340-25	Wipe Hose Assy. incl. (340-25A, 340-25B, 340-25D)	1
14	340-12	Front Plate	1	◆ 32	340-2B	1/8" Collet	
15	340-29	Rotor Collar	1	33	IE-8	Retaining Ring	1
16	340-11	Rotor Blade	3	34	680-28A	Screen	1
17	340-10	Rotor	1	35	CRTW-12	Retainer	1
18	340-14	Cylinder	1				