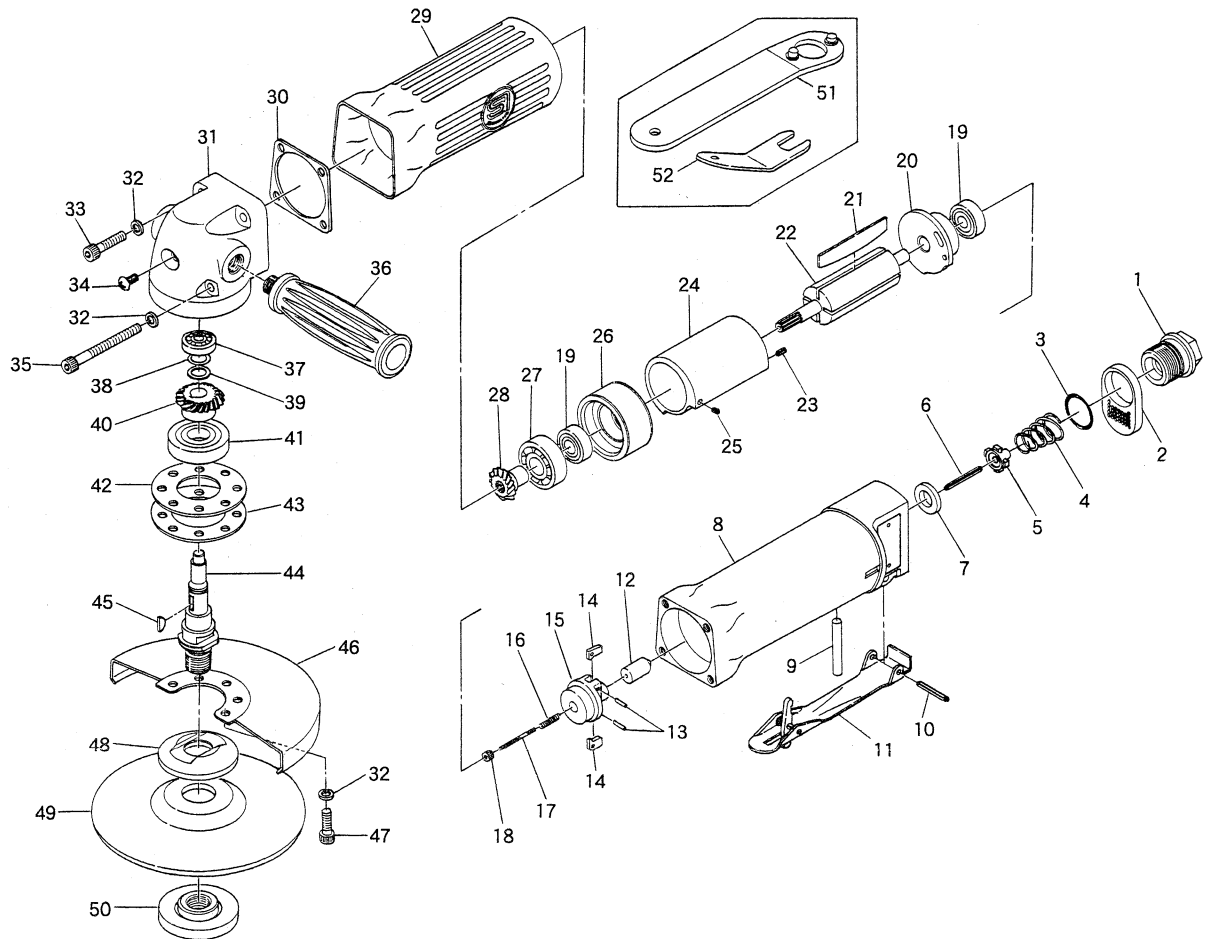


# SI-2515L-14

## 5" Disc Grinder



Ref. No.	Parts No.	Description	Q'ty	Ref. No.	Parts No.	Description	Q'ty
1	991-5	Inlet Bushing	1	27	6201	Ball Bearing	1
2	240RL-5	Deflector	1	28	241-9	Pinion Gear	1
3	991-7	O-Ring	1	29	240RL-3	Housing Cover	1
4	960-32	Valve Spring	1	30	240RL-4	Motor Gasket	1
5	960-35	Valve	1	31	240RL-2	Angle Head	1
6	30-28	Roll Pin (3-28mm)	1	32	HSW-50	Washer	8
7	960-34	Valve Seat	1	33	Z-M50-220	Cap Screw	2
8	240RL-1	Motor Housing	1	34	F-M60-80	Screw	1
9	510A-6	Valve Pin	1	35	Z-M50-500	Cap Screw	2
10	40-30	Roll Pin (4-30mm)	1	36	240B-2	Handle	1
11	240-68	Throttle Lever	1	37	626	Ball Bearing	1
12	240-31	Plunger	1	38	JS-10	Retaining Ring	1
13	30-12	Roll Pin (3-12mm)	2	39	WW-100	Wave Washer	1
14	240-30	Pendulum	6	40	241-8	Bevel Gear	1
15	240-29	Governor	1	41	6202-ZZ	Ball Bearing	1
16	240-34	Governor Spring	1	42	240-5	Gasket	1
17	240-32	Adjust Screw	1	43	240-4	Retainer	1
18	240-33	Adjust Nut	1	44	241-14-3	Spindle	1
19	608-ZZ	Ball Bearing	2	45	480-23	Key	1
20	240RL-9	Rear Plate	1	46	241-5	Disc Cover	1
21	650-13	Rotor Blade	4	47	Z-M50-150	Cap Screw	4
22	240-23	Rotor	1	48	241-14-1	Disc Receiver	1
23	25-6	Roll Pin (2.5-6mm)	1	49	241-49	5" Disc	1
24	240RL-7	Cylinder	1	50	241-14-2	Disc Nut	1
25	25-4	Roll Pin (2.5-4mm)	1	51	510-2	Pin Wrench (5 φ x30mm)	1
26	240RL-8	Front Plate	1	52	380-51	Spanner Wrench (10mm)	1