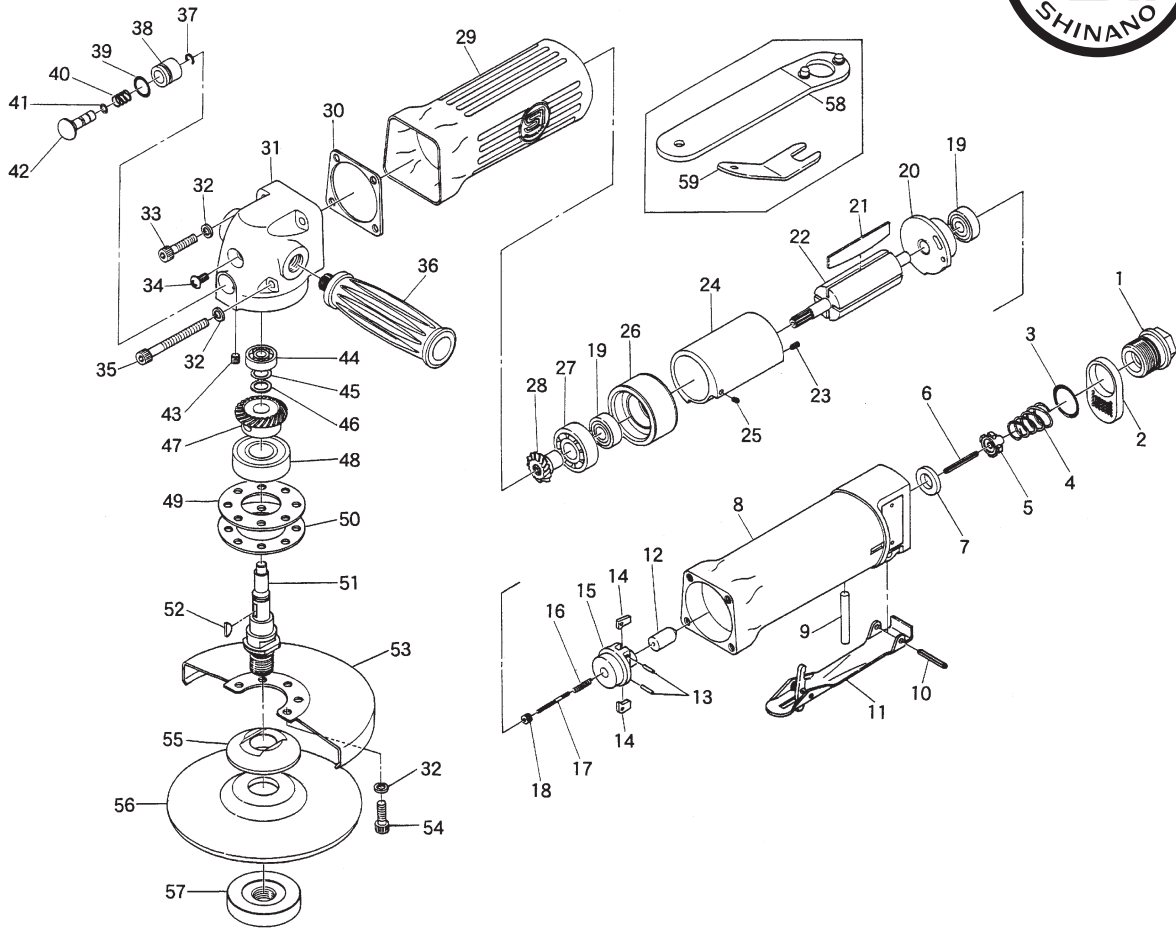


# SI-2515LA

## 5" Disc Grinder-Rear Exhaust



Ref. No.	Parts No.	Description	Q'ty	Ref. No.	Parts No.	Description	Q'ty
1	991-5	Inlet Bushing	1	31	240RL-2A	Angle Head	1
2	240RL-5	Deflector	1	32	HSW-50	Washer	9
3	991-7	O-Ring	1	33	Z-M50-220	Cap Screw	2
4	960-32	Valve Spring	1	34	F-M60---80	Screw	1
5	960-35	Valve	1	35	Z-M50-500	Cap Screw	2
6	30-28	Valve Pin (3φ-28mm)	1	36	240B-2	Handle	1
7	960-34	Valve Seat	1	37	CE-6	Retaining Ring	1
8	240RL-1	Motor Housing	1	38	240RL-13	Bush	1
9	510A-6Z	Valve Pin	1	39	S-11.2	O-Ring	1
10	40-30	Roll Pin (4φ-30mm)	1	40	240RL-11	Spring	1
11	240-68	Throttle Lever	1	41	241RL-5	O-Ring	1
12	240-31	Plunger	1	42	240RL-10A	Stopper	1
13	30-12	Roll Pin (3φ-12mm)	2	43	ROM50---50	Set Screw	1
14	240-30	Pendulum	6	44	626	Ball Bearing	1
15	240-29	Governor	1	45	JS-10	Retaining Ring	1
16	240-34	Governor Spring	1	46	WW-100	Wave Washer	1
17	240-32	Adjust Screw	1	47	241-8A	Bevel Gear	1
18	240-33	Adjust Nut	1	48	6202-ZZ	Ball Bearing	1
19	608-ZZ	Ball Bearing	2	49	240-5	Gasket	1
20	240RL-9	Rear Plate	1	50	240-4	Retainer	1
21	650-13	Rotor Blade	4	51	241-14-3	Spindle	1
22	240-23	Rotor	1	52	480-23	Key	1
23	25-6	Roll Pin (2.5φ-6mm)	1	53	241-5	Disc Cover	1
24	240RL-7	Cylinder	1	54	Z-M50-150	Cap Screw	5
25	25-4	Roll Pin (2.5φ-4mm)	1	55	241-14-1A	Disc Receiver	1
26	240RL-8	Front Plate	1	56	241-49	5" Disc	1
27	6201	Ball Bearing	1	57	241-14-2A	Disc Nut	1
28	241-9	Planet Gear	1	58	510-2	Pin Wrench (5φ×30mm)	1
29	240RL-3	Housing Cover	1	59	380-51	Spanner Wrench (10mm)	1
30	240RL-4	Motor Gasket	1				