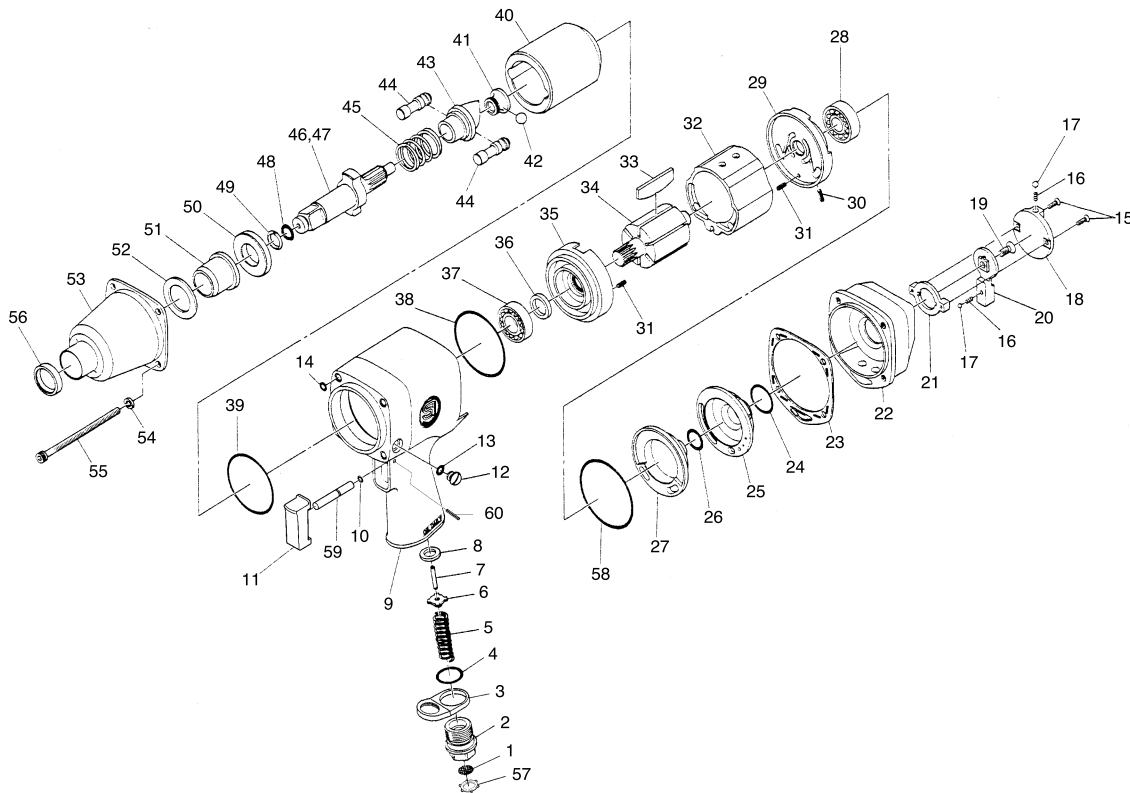


SI-1480

1/2" Sq. Dr. Impact Wrench

SI-1482

Long Anvil 1/2" Sq. Dr. Impact Wrench



| Ref. No. | Parts No. | Description | Q'ty | Ref. No. | Parts No. | Description | Q'ty |
|----------|-----------|----------------------|------|----------|-----------|---|------|
| 1 | 680-28A | Screen | 1 | 32 | 930B-1 | Cylinder | 1 |
| 2 | 991-5 | Inlet Bushing | 1 | 33 | 911A-18 | Rotor Blade | 6 |
| 3 | 911P-11 | Deflector | 1 | 34 | 930B-2 | Rotor | 1 |
| 4 | 991-7 | O-Ring | 1 | 35 | 911P-3 | Front Plate | 1 |
| 5 | 911P-14 | Valve Spring | 1 | 36 | 961-16 | Oil Seal | 1 |
| 6 | 960-35 | Valve | 1 | 37 | 6002 | Ball Bearing | 1 |
| 7 | 30-32 | Roll Pin(3φ-32mm) | 1 | 38 | S-55 | O-Ring | 1 |
| 8 | 960-34 | Valve Seat | 1 | 39 | 911-15 | O-Ring | 1 |
| 9 | 911P-1ADB | Motor Housing | 1 | 40 | 911B-1 | Hammer Cage | 1 |
| 10 | 216-6 | O-Ring | 1 | 41 | 911-2 | Pilot | 1 |
| 11 | 456GP-15 | Trigger | 1 | 42 | 911-3 | Steel Ball | 1 |
| 12 | 450-29 | Plug | 1 | 43 | 911-5 | Cam | 1 |
| 13 | P-5 | O-Ring | 1 | 44 | 911-4 | Hammer Pin | 2 |
| 14 | S-5 | O-Ring | 4 | 45 | 911-6 | Cam Spring | 1 |
| 15 | 911P-13 | Screw | 2 | 46 | 911-7 | 1/2"Sq. Anvil | 1 |
| 16 | 670-40 | Spring | 2 | ★47 | 911-7L | 1/2"Sq. Long Anvil | 1 |
| 17 | SB-3/16 | Steel Ball | 2 | 48 | P-8 | O-Ring | 1 |
| 18 | 911P-9 | Regulator Dial | 1 | 49 | 911-8 | Socket Retainer Ring | 1 |
| 19 | NBM50-120 | Screw | 1 | 50 | 911-9 | Anvil Spacer | 1 |
| 20 | 911P-7Y | Reverse Lever | 1 | 51 | 911-10 | Anvil Bushing | 1 |
| 21 | 911P-8 | Reverse Lever Holder | 1 | 52 | 911-54 | Spacer | 1 |
| 22 | 911P-2 | Housing Cap | 1 | 53 | 911P-15 | Clutch Housing incl. Bush, Seal & Spacer (911-10, 911-12, 911-54) | 1 |
| 23 | 911P-10 | Motor Gasket | 1 | 54 | HSW-50 | Washer | 4 |
| 24 | 620-28 | O-Ring | 1 | 55 | Z-M50-870 | Cap Screw | 4 |
| 25 | 911P-6A | Regulator Valve | 1 | 56 | 911-12 | Oil Seal | 1 |
| 26 | S-14 | O-Ring | 1 | 57 | CRTW-12 | Retainer | 1 |
| 27 | 911P-5 | Reverse Valve | 1 | 58 | 911P-23 | O-Ring | 1 |
| 28 | 6201 | Ball Bearing | 1 | 59 | 456GP-14 | Valve Shaft | 1 |
| 29 | 911P-4 | Rear Plate | 1 | 60 | 25-20 | Roll Pin(2.5φ-20mm) | 1 |
| 30 | 30-11 | Roll Pin(3φ-11mm) | 1 | | | | |
| 31 | 30-8 | Roll Pin(3φ-8mm) | 2 | | | | |