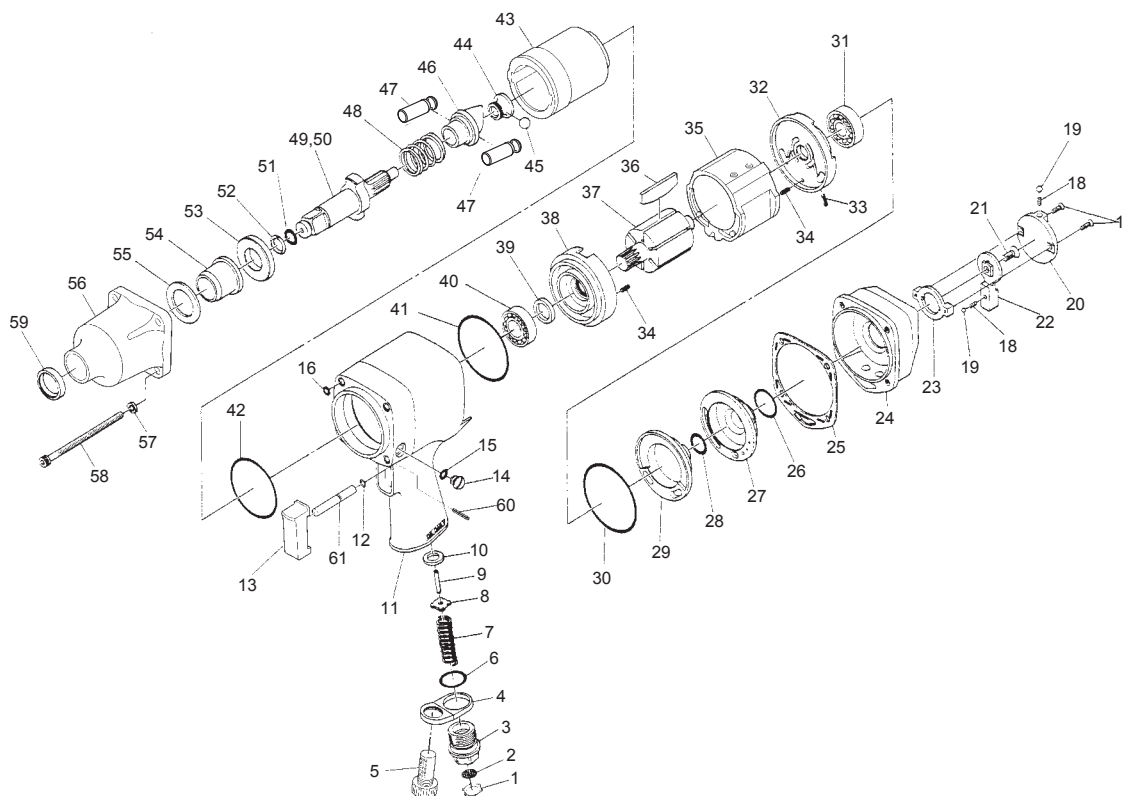


# SI-1480ASR

## 1/2" Sq. Dr. Impact Wrench

# SI-1482ASR

## Long Anvil 1/2" Sq. Dr. Impact Wrench



Ref. No.	Parts No.	Description	Q'ty	Ref. No.	Parts No.	Description	Q'ty
1	CRTW-12	Retainer	1	32	911P-4	Rear Plate	1
2	680-28A	Screen	1	33	30-11	Roll Pin (3 φ-11mm)	1
3	911P-20	Inlet Bushing	1	34	30-8	Roll Pin (3 φ-8mm)	2
4	911A-15	Muffler Retainer	1	35	911P-12A	Cylinder	1
5	911P-25	Muffler	1	36	911A-18	Rotor Blade	6
6	991-7	O-Ring	1	37	930B-2A	Rotor	1
7	911P-14	Valve Spring	1	38	911P-3	Front Plate	1
8	960-35	Valve	1	39	961-16	Oil Seal	1
9	30-32	Roll Pin (3 φ-32mm)	1	40	6002	Ball Bearing	1
10	960-34	Valve Seat	1	41	S-55	O-Ring	1
11	911P-1ADB	Motor Housing	1	42	911-15	O-Ring	1
12	216-6	O-Ring	1	43	912-1TG	Hammer Cage	1
13	456GP-15	Trigger	1	44	911-2T	Pilot	1
14	450-29	Plug	1	45	911-3T	Steel Ball	1
15	P-5	O-Ring	1	46	911-5T	Cam	1
16	S-5	O-Ring	4	47	911-4T	Hammer Pin	2
17	911P-13	Screw	2	48	911-6T	Cam Spring	1
18	670-40	Spring	2	49	911-7T	1/2" Sq. Anvil	1
19	SB-3/16	Steel Ball	2	★50	911-7L	1/2" Sq. Long Anvil	1
20	911P-9	Regulator Dial	1	51	P-7	O-Ring	1
21	NBM50-120	Screw	1	52	930-48	Socket Retainer Ring	1
22	911P-7Y	Reverse Lever	1	53	911-9T	Anvil Spacer	1
23	911P-8	Reverse Lever Holder	1	54	911-10T	Anvil Bushing	1
24	911P-2	Housing Cap	1	55	911-54	Spacer	1
25	911P-10	Motor Gasket	1	56	912RA-1	Clutch Housing incl. Bush, Seal & Spacer (911-10, 911-12, 911-54)	1
26	S-22.4	O-Ring	1	57	HSW-50	Washer	4
27	911P-6	Regulator Valve	1	58	Z-M50-920	Cap Screw	4
28	S-14	O-Ring	1	59	911-12	Oil Seal	1
29	911P-5A	Reverse Valve	1	60	25-20	Roll Pin (2.5 φ-20mm)	1
30	911P-23A	O-Ring	1	61	456GP-14	Valve Shaft	1
31	6201	Ball Bearing	1				