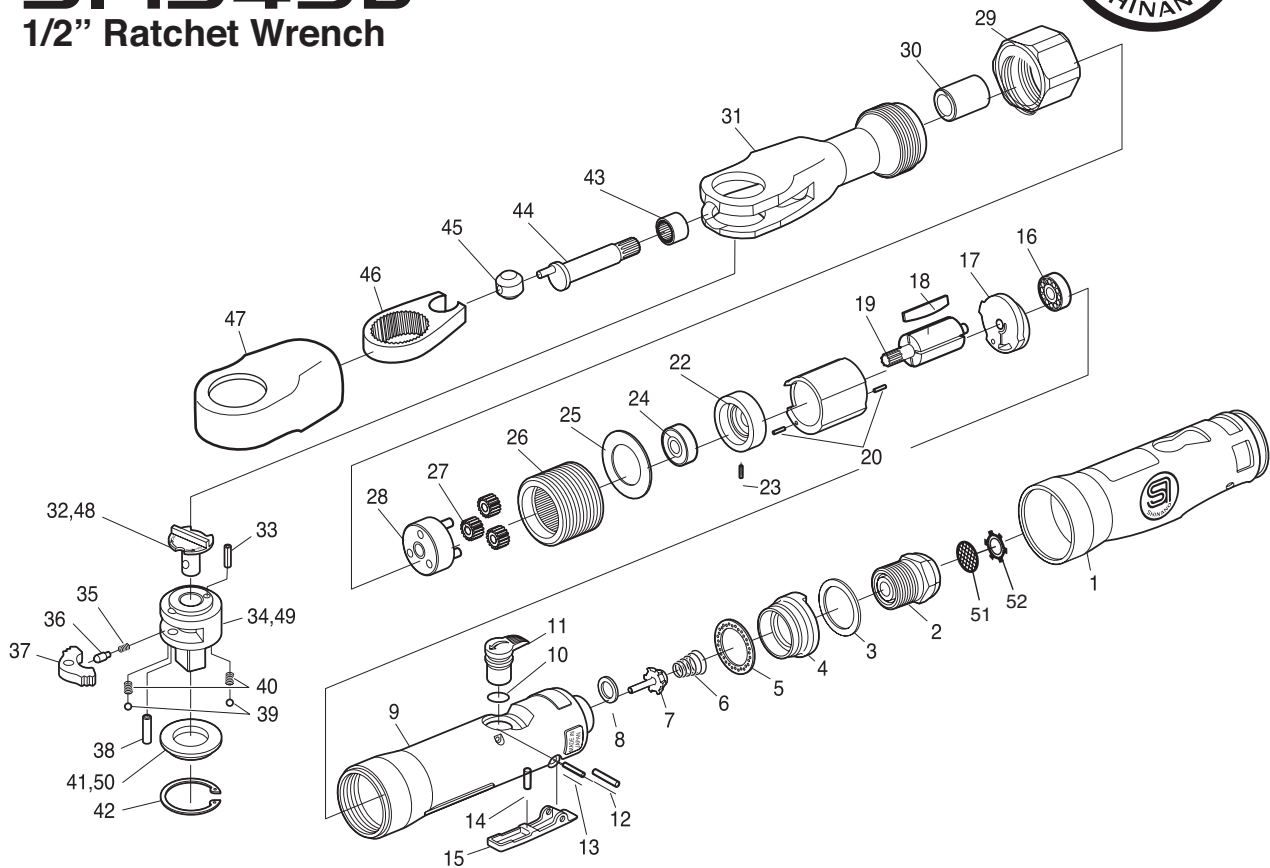


# SI-1340B 3/8" Ratchet Wrench

# SI-1345B 1/2" Ratchet Wrench



Ref. No.	Parts No.	Description	Q'ty	Ref. No.	Parts No.	Description	Q'ty
1	305-8	Housing Cover	1	27	300-13	Planet Gear	3
2	305-4	Swivel Bushing	1	31	301-2	Planet Cage incl. Planet Pins (300-21x3)	1
3	305-7	Washer	1	32	670-25	Lock Ring	1
4	305-5	Deflector	1	33	300-43	Bush	1
5	305-6	Silencer	1	31	305-3	Ratchet Housing	1
6	325-16	Valve Spring	1	32	300-19	Reverse Lever for 3/8" Sq. Anvil	1
7	325-8	Valve	1	33	30-5	Roll Pin (3ø-5mm)	1
8	139-9	Valve Seat	1	34	300-5	3/8" Sq. Anvil incl. Pin (30-5)	1
9	305-2	Motor Housing	1	35	670-45	Reverse Spring	1
10	P-7	O-Ring	1	36	670-17	Reverse Pin	1
11	325-6	Air Regulator	1	37	670-9	Ratchet Pawl	1
12	30-20	Roll Pin (3ø-20mm)	1	38	670-27	Dowel Pin	1
13	25-20	Roll Pin (2.5ø-20mm)	1	39	SB-5/32	Steel Ball	2
14	310-4S	Valve Pin	1	40	800B-44	Thrust Washer Spring	2
15	325-7	Throttle Lever	1	41	670-26	Thrust Washer for 3/8" Sq. Anvil	1
16	626	Ball Bearing	1	42	IO-30	Retaining Ring	1
17	303-6	Rear Plate	1	43	HK1212	Needle Bearing	1
18	301-15	Rotor Blade	4	44	302W-3	Crank Shaft	1
19	300-12	Rotor	1	45	670-8	Drive Bushing	1
20	15-6	Roll Pin (1.5ø-6mm)	2	46	670-3	Yoke	1
21	303-11	Cylinder	1	47	150-55	Boot	1
22	303-5	Front Plate	1	★ 48	671H-3	Reverse Lever for 1/2" Sq. Anvil	1
23	25-4	Roll Pin (2.5ø-4mm)	1	★ 49	671H-2	1/2" Sq. Anvil incl. Pin (30-5)	1
24	608-ZZ	Ball Bearing	1	★ 50	671H-1	Thrust Washer for 1/2" Sq. Anvil	1
25	670-18	Lock Washer	1	51	680-28A	Screen	1
26	300-23	Internal Gear	1	52	CRTW-12	Retainer	1