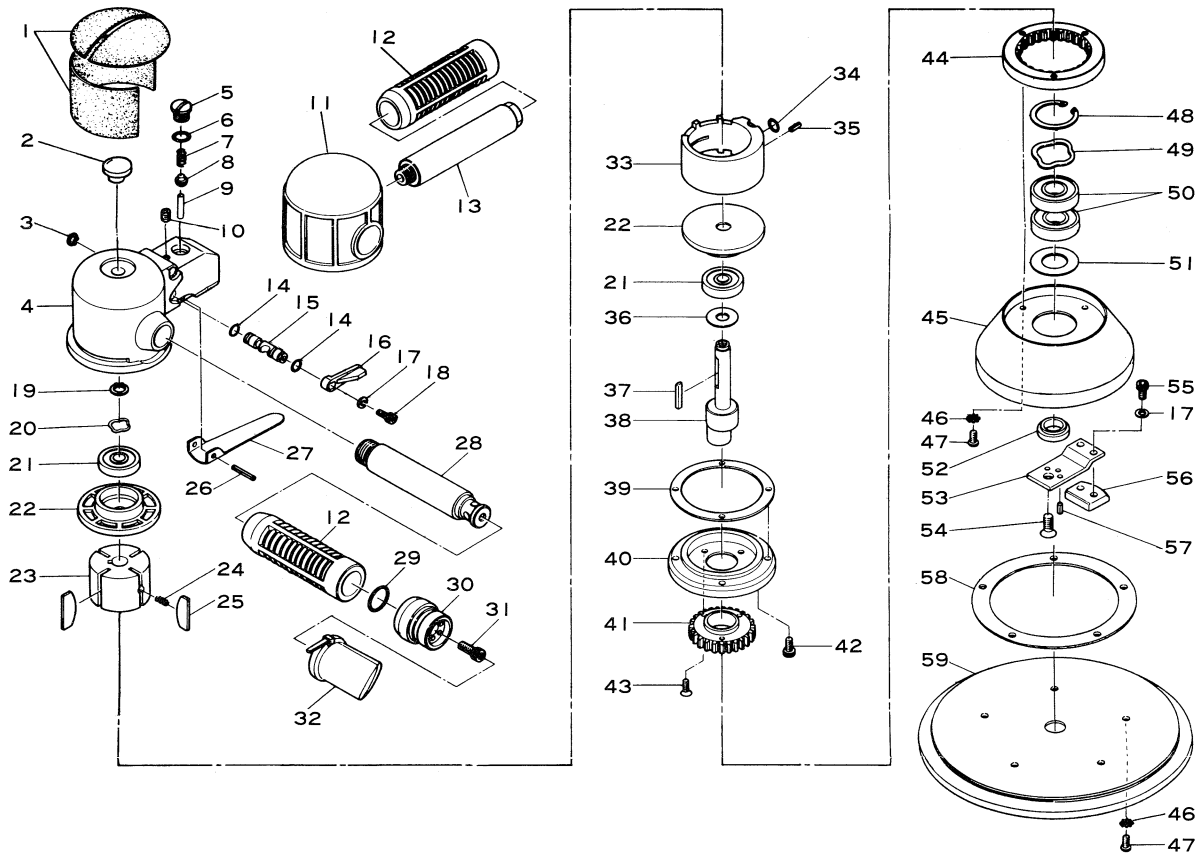


SI-2310

8" Geared Sander



Ref. No.	Parts No.	Description	Q'ty	Ref. No.	Parts No.	Description	Q'ty
1	#256-64	Insulating Cloth	1	31	Z-M60-100	Cap Screw	1
2	#257-7	Housing Cap	1	32	#256-62	Oil Filter	1
3	JS-8	Retaining Ring	1	33	#482-39TP	Cylinder	1
4	#257-5	Motor Housing incl. Bush & Screw	1	34	P-7	O-Ring	1
5	#800-14	Valve Screw	1	35	30-6	Roll Pin(3-6mm)	1
6	P-9	O-Ring	1	36	#481-10	Spacer	1
7	#670-49	Valve Spring	1	37	#482-16	Key	1
8	#300-10	Valve	1	38	#257-6	Crank Shaft	1
9	#670-23	Valve Pin	1	39	#256-15	Motor Gasket	1
10	ROM60-60	Set Screw	1	40	#256-3	Motor Retainer	1
11	#256-8	Housing Cover	1	41	#256-11	Pinion Gear	1
12	#266-35	Grip Rubber	2	42	Z-M50-100	Cap Screw	4
13	#480-15	Handle Grip	1	43	Y-M40-120	Screw	3
14	P-4	O-Ring	2	44	#256-10	Internal Gear	1
15	#256-16	Regulator	1	45	#256-2	Balancer Cover	1
16	#256-6	Lever	1	46	BT-40	Washer	8
17	HSW-40	Washer	3	47	A-M40-120	Screw	8
18	Z-M40-80	Cap Screw	1	48	JO-35	Retaining Ring	1
19	JS-10	Retaining Ring	1	49	BWW-6202	Wave Washer	1
20	WW-100	Wave Washer	1	50	6003LLU	Ball Bearing	2
21	6200-ZZ	Ball Bearing	2	51	#256-20	Seal Plate	1
22	#640-12TB	End Plate	2	52	#256-19	Collar	1
23	#482-6TS	Rotor	1	53	#256-18	Balancer Arm	1
24	#490-1	Blade Spring	2	54	Y-M60-160	Screw	1
25	#470-9	Rotor Blade	4	55	Z-M40-100	Cap Screw	2
26	30-24	Roll Pin(3-24mm)	1	56	#256-9	Weight	1
27	#350-2	Throttle Lever	1	57	30-12	Roll Pin(3-12mm)	1
28	#266-37	Dead Handle	1	58	#257-1	Spacer	1
29	P-18	O-Ring	1	59	#257-2A	8" Pad	1
30	#256-5	Deflector	1				