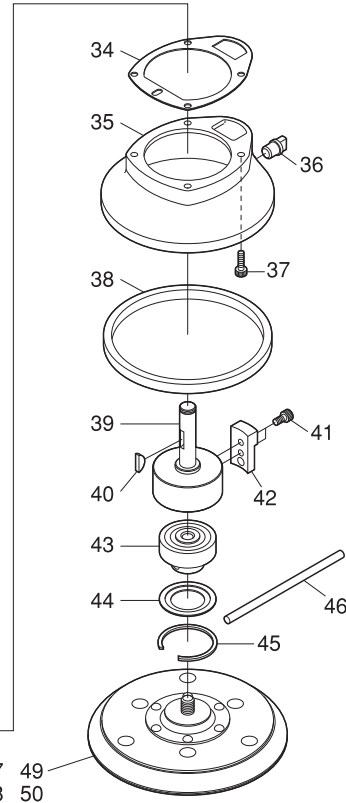
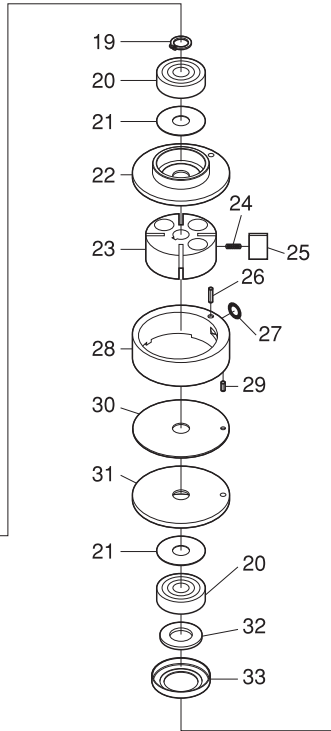
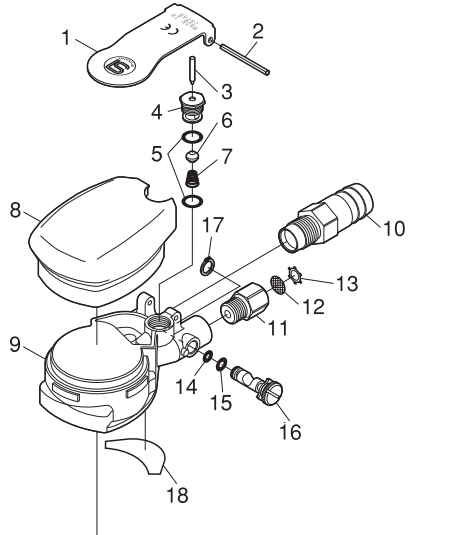


SI-3103A(M) 5" Dual Action Sander

SI-3103-6A(M) 6" Dual Action Sander



Ref. No.	Parts No.	Description	Q'ty	Ref. No.	Parts No.	Description	Q'ty
1	1040-11	Throttle Lever	1	29	25-6	Roll Pin(2.5φ-6mm)	1
2	30-40	Roll Pin(3φ-40mm)	1	30	490C-4	Lower End Plate	1
3	455-11	Valve Pin	1	31	490-9A	Bearing Case	1
4	490-4	Valve Body	1	32	570-1	Felt Ring	1
5	S-10	O-Ring	2	33	481-9	Seal Cover	1
6	455-21	Valve	1	34	490-13	Motor Gasket	1
7	490-20	Valve Spring	1	35	491-13	Pad Cover	1
8	490C-2	Housing Cover	1	36	491-33	Plug	1
9	490C-1	Motor Housing	1	37	Z-632--127	Cap Screw	4
10	1040-18AS	Muffler	1	38	491DF-1	Felt Ring	1
11	180-1	Inlet Bushing	1	39	491-9	Balancer Shaft	1
12	680-28A	Screen	1	40	480-23	Key	1
13	CRTW-12	Retainer	1	41	Z-M40---80	Cap Screw	2
14	P-4	O-Ring	1	42	491-38	Adjust Weight	1
15	P-5	O-Ring	1	43	491-32	Random Shaft A'ssy incl. Ball Bearing & Washer(6202LLUC2,480-12A)	1
16	485-4A	Air Regulator	1	44	480-17A	Seal Plate	1
17	JS-8	Retaining Ring	1	45	BR-35	Retaining Ring	1
18	490-54	Seal(Crescent)	1	46	480-54	Bar Wrench (5φmm x 100mm)	1
19	IS-10	Retaining Ring	1	47	ME-125H	5" Velcro Pad	1
20	6200-ZZ	Ball Bearing	2	48	PE-125H	5" Leather Pad	1
21	485-45	Seal	2	49	M-150H	6" Velcro Pad	1
22	490C-3	Upper Bearing Case	1	50	P-150H	6" Leather Pad	1
23	490-5	Rotor	1				
24	490-1	Blade Spring	2				
25	490-6	Rotor Blade	4				
26	25-10	Roll Pin(2.5_-10mm)	1				
27	P-7	O-Ring	1				
28	490B-36B	Cylinder	1				