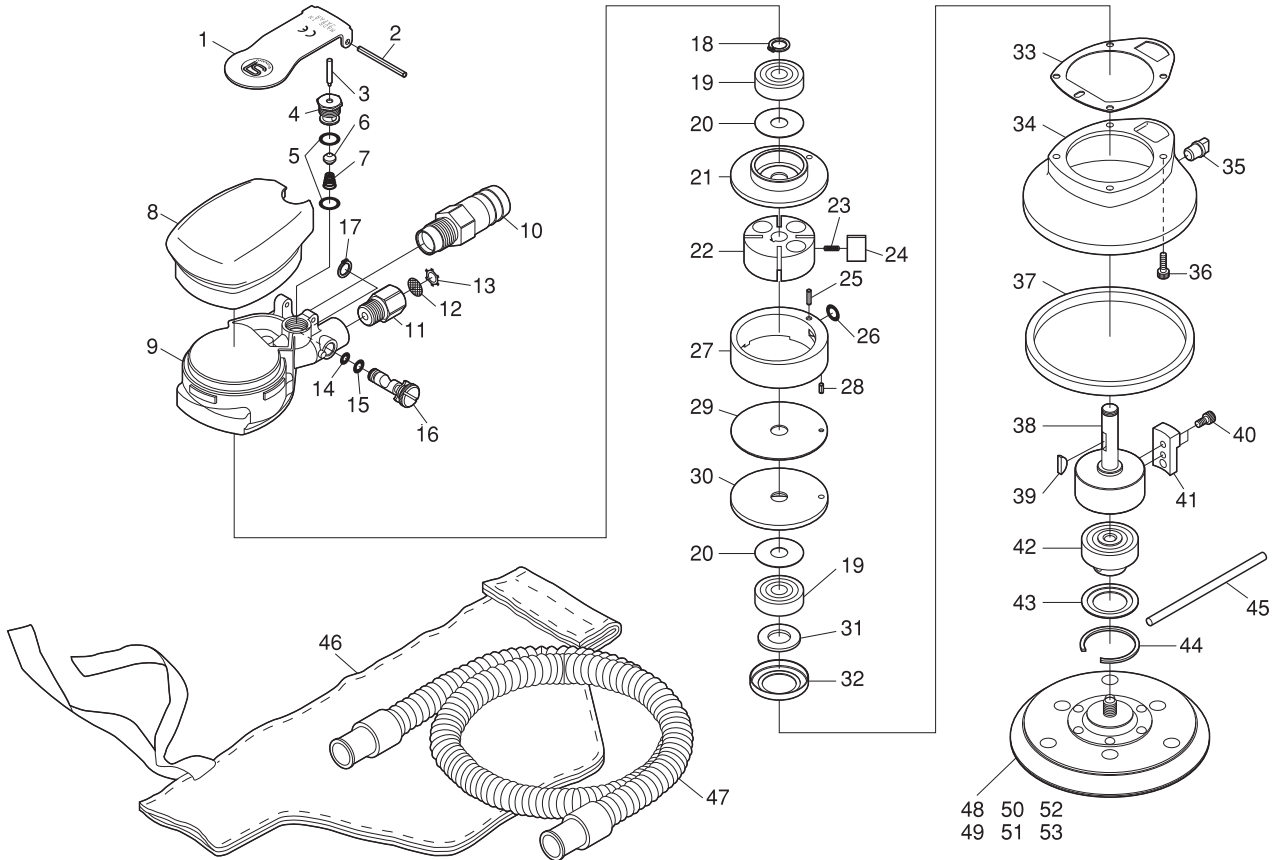


SI-3113A(M) 5" Dual Action Sander

SI-3113-6A(M) 6" Dual Action Sander



| Ref. No. | Parts No. | Description | Q'ty | Ref. No. | Parts No. | Description | Q'ty |
|----------|-----------|---------------------|------|----------|-------------|--|------|
| 1 | 1040-11 | Throttle Lever | 1 | 29 | 490C-4 | Lower End Plate | 1 |
| 2 | 30-40 | Roll Pin(3φ-40mm) | 1 | 30 | 490-9A | Bearing Case | 1 |
| 3 | 455-11 | Valve Pin | 1 | 31 | 570-1 | Felt Ring | 1 |
| 4 | 490-4 | Valve Body | 1 | 32 | 481-9 | Seal Cover | 1 |
| 5 | S-10 | O-Ring | 2 | 33 | 490-13 | Motor Gasket | 1 |
| 6 | 455-21 | Valve | 1 | 34 | 491-13 | Pad Cover | 1 |
| 7 | 490-20 | Valve Spring | 1 | 35 | 491-33 | Plug | 1 |
| 8 | 490C-2 | Housing Cover | 1 | 36 | Z-632--127 | Cap Screw | 4 |
| 9 | 490C-1 | Motor Housing | 1 | 37 | 491DF-1 | Felt Ring | 1 |
| 10 | 1040-45D | Defuser | 1 | 38 | 491-9 | Balancer Shaft | 1 |
| 11 | 180-1 | Inlet Bushing | 1 | 39 | 480-23 | Key | 1 |
| 12 | 680-28A | Screen | 1 | 40 | Z-M40---80 | Cap Screw | 2 |
| 13 | CRTW-12 | Retainer | 1 | 41 | 491-38 | Adjust Weight | 1 |
| 14 | P-4 | O-Ring | 1 | 42 | 491-32 | Random Shaft Assy incl. Ball Bearing & Washer(6202LLUC2,480-12A) | 1 |
| 15 | P-5 | O-Ring | 1 | 43 | 480-17A | Seal Plate | 1 |
| 16 | 485-4A | Air Regulator | 1 | 44 | BR-35 | Retaining Ring | 1 |
| 17 | JS-8 | Retaining Ring | 1 | 45 | 480-54 | Bar Wrench (5φ mm x 100mm) | 1 |
| 18 | JS-10 | Retaining Ring | 1 | 46 | 485-42 | Dust Pack | 1 |
| 19 | 6200-ZZ | Ball Bearing | 2 | 47 | 1040-54 | Dust Hose | 1 |
| 20 | 485-45 | Seal | 2 | ☆48 | ME-125H | 5" Velcro Pad | 1 |
| 21 | 490C-3 | Upper Bearing Case | 1 | ☆49 | PE-125H | 5" Leather Pad | 1 |
| 22 | 490-5 | Rotor | 1 | ★50 | M-150HD 6 | 6" Velcro Pad 3M Type | 1 |
| 23 | 490-1 | Blade Spring | 2 | ★51 | P-150HD 6 | 6" Leather Pad 3M Type | 1 |
| 24 | 490-6 | Rotor Blade | 4 | ★52 | M-150HD 3-9 | 6" Velcro Pad | 1 |
| 25 | 25-10 | Roll Pin(2.5φ-10mm) | 1 | ★53 | P-150HD 3-9 | 6" Leather Pad | 1 |
| 26 | P-7 | O-Ring | 1 | ★54 | M-150HD 9 | 9" Velcro Pad | 1 |
| 27 | 490B-36B | Cylinder | 1 | ★55 | P-150HD 9 | 9" Leather Pad | 1 |
| 28 | 25-6 | Roll Pin(2.5φ-6mm) | 1 | | | | |